

Dimensions (mm)	X	C	W	N	Weight (Kg)
BEKET 414/31/10,5	14	31	35	10,5	0,380
BEKET 414/31/16	14	31	35	16	0,390
BEKET 414/35/8	18	35	39	8	0,500
BEKET 414/35/12	18	35	39	12	0,520

TECHNICAL SPECIFICATIONS

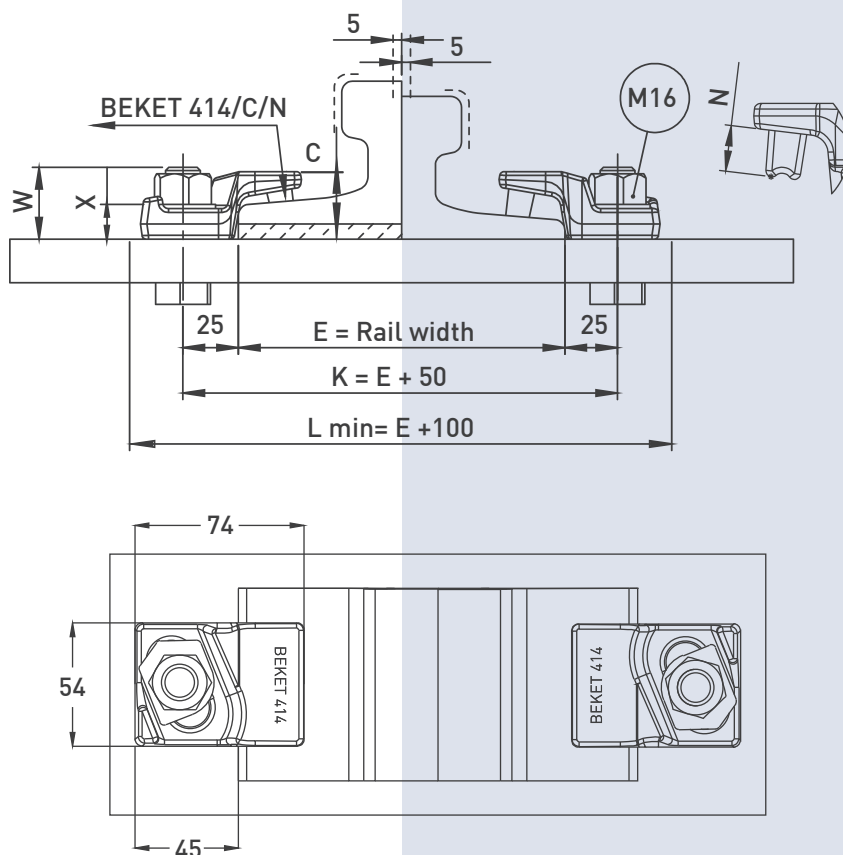
- Max side load 60 kN
- Lateral adjustment 10 mm
- Bolt M16 Grade 8.8
- Tightening Torque 200 Nm
- Steel Quality St52-3

MAIN FEATURES

- 1- BEKET 414 bolted rail clip, which is produced from a forged part, enables ease of assembly thanks to its special design.
- 2- The clips can be preferred for rails with or without pads.
- 3- The main part is locked to rail with M16 bolt and special washer.
- 4- The rubber nose increases the tolerances of the rail support structures, reduces the stress of the connections, allows a better fixing of the rail.

1 | RAIL WITH PAD

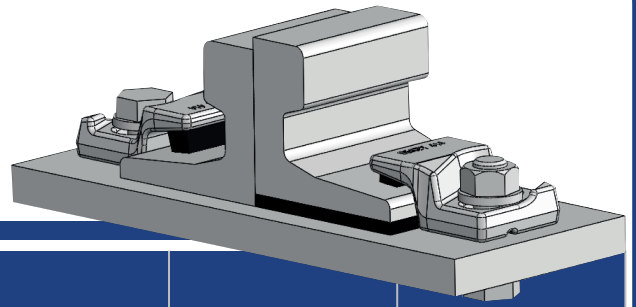
2 | RAIL WITHOUT PAD

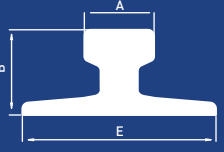


- Flange nut can also be used on request. Please consult us for using flange nut.

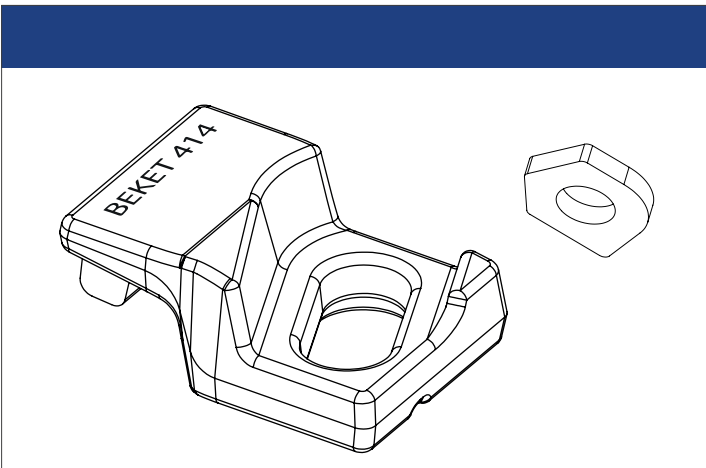
414

Beket 414 Bolted Rail Clips



	A	B	E	Without Pad	With Pad
A45	45	55	125	414/31/16	414/31/10,5
A55	55	65	150	414/31/16	414/31/10,5
A65	65	75	175	414/31/16	414/35/12
S18	43	93	82	414/31/16	414/31/10,5
S20	44	100	82	414/31/16	414/35/12
S24	53	115	90	414/31/16	414/31/10,5
S30	60,3	108	108	414/31/16	414/35/12
S31	56	125	106	414/31/18	414/31/10,5
S33	58	134	105	414/31/16	414/35/12
S41 A	67	138	125	414/31/16	414/35/12
P24	51	107	92	414/31/16	414/35/12
P43	70	140	114	414/31/16	414/35/8
P50	72	152	132	414/31/16	414/35/8
AFNOR 26	50	110	100	414/31/16	414/31/10,5
AFNOR 30	56	125,5	106	414/31/16	414/31/10,5
ASCE 60	50	110	100	414/31/16	414/35/12
ASCE 80	63,5	127	127	414/31/16	414/35/12
ASCE 85	65,1	131,8	131,8	414/31/16	414/35/12

Clip can be with more type of rails than those listed.



INSTALLATION INSTRUCTIONS:

The main component is first positioned on the bolt against the rail and the special washer is then positioned on the main component. The nut is hand tightened. Hammer is used for tighter contact. The main component is in position, use an electrical or pneumatic wrench to torque the nut. Please contact BEKET for full installation instructions.

