

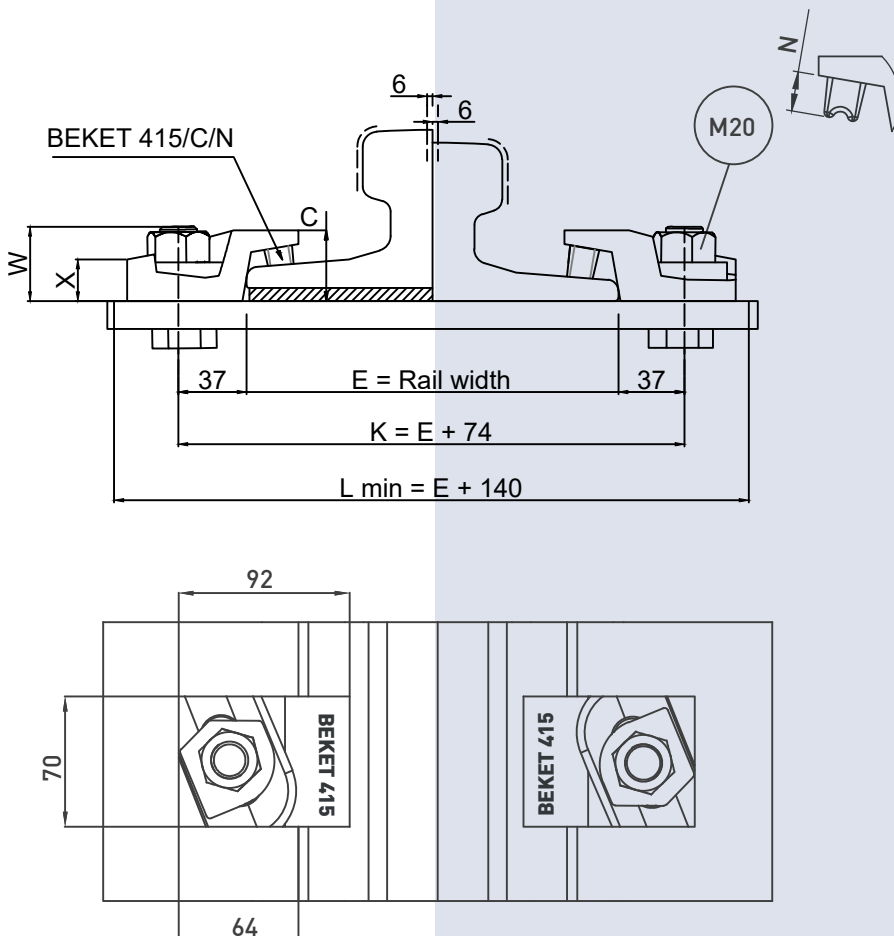
Dimensions (mm)	X	C	W	N	Weight (Kg)
BEKET 415/38/21	21	38	40	21	0,800
BEKET 415/38/14	21	38	40	14	0,760

TECHNICAL SPECIFICATIONS

- Max side load 120 kN
- Lateral adjustment 12 mm
- Bolt M20 Grade 8.8
- Tightening Torque 320 Nm
- Steel Quality St52-3

1 | RAIL WITH PAD

2 | RAIL WITHOUT PAD



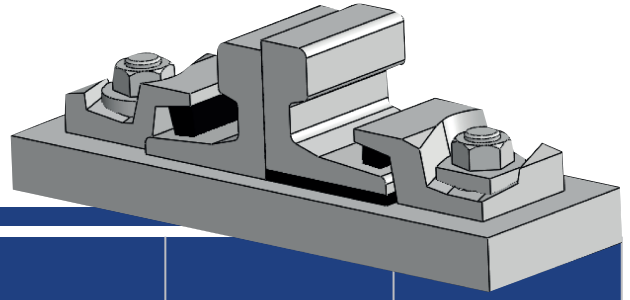
MAIN FEATURES

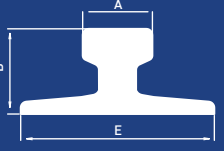
1. BEKET 415 bolted rail clip, which is produced from a forged part, enables ease of assembly thanks to its special design.
2. The clips can be preferred for rails with or without pads.
3. The main part is locked to rail with M20 bolt and special washer.
4. The rubber nose increases the tolerances of the rail support structures, reduces the stress of the connections, allows a better fixing of the rail.

- Flange nut can also be used on request. Please consult us for using flange nut.

415

Beket 415 Bolted Rail Clips



	A	B	E	Without Pad	With Pad
A65	65	75	175	415/38/21	415/38/14
A75	75	85	200	415/38/21	415/38/14
A100	100	95	200	415/38/21	415/38/14
A120	120	105	220	415/38/21	415/38/14
S 33	58	134	105	415/38/21	415/38/14
S 41A	67	138	125	415/38/21	415/38/14
S 49	67	149	125	415/38/21	415/38/14
S 54	67	154	125	415/38/21	415/38/14
50 E2	72	151	140	415/38/21	415/38/14
UIC 54	70	159	140	415/38/21	415/38/14
UIC 60	72	172	150	415/38/21	415/38/14
P 65	73	180	150	415/38/21	415/38/14
KP 70	70	120	120	415/38/21	415/38/14
KP 80	80	130	130	415/38/21	415/38/14
CR 105	65,1	131,8	131,8	415/38/21	415/38/14
CR 135	79,4	146,1	131,8	415/38/21	415/38/14

Clip can be with more type of rails than those listed.



INSTALLATION INSTRUCTIONS:

The main component is first positioned on the bolt against the rail and the special washer is then positioned on the main component. The nut is hand tightened. Hammer is used for tighter contact. The main component is in position, use an electrical or pneumatic wrench to torque the nut. Please contact BEKET for full installation instructions.

