

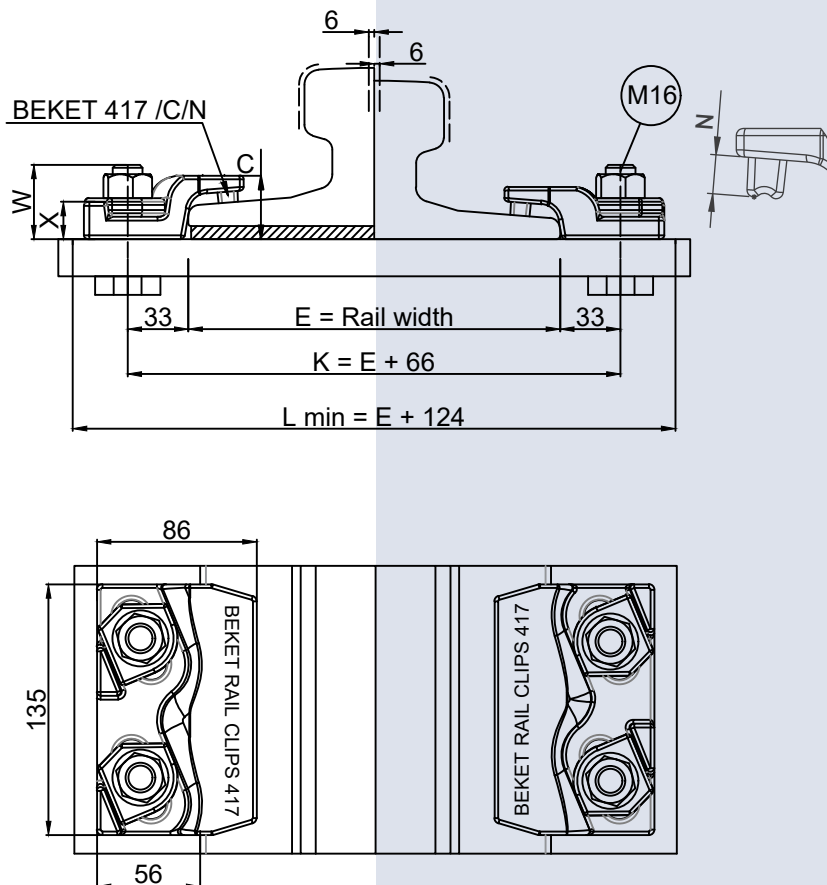
CLIPS NO	X	C	W	N	Weight (Kg)
BEKET 417/28/12	20	28	40	12	1,350
BEKET 417/34/12	20	34	40	12	1,400

TECHNICAL SPECIFICATIONS

- Max side load 150 kN
- Lateral adjustment 12 mm
- Bolt M16 Grade 8.8
- Tightening Torque 200 Nm
- Steel Quality St52-3

1 | RAIL WITH PAD

2 | RAIL WITHOUT PAD



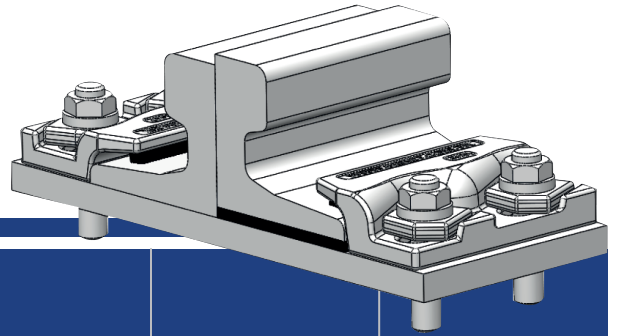
MAIN FEATURES

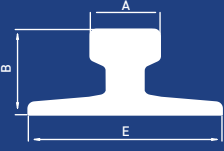
- 1- BEKET 417 bolted rail clip, which is produced from a forged part, enables ease of assembly thanks to its special design.
- 2- The clips can be preferred for rails with or without pads.
- 3- The main part is locked to rail with M16 bolt and special washer.
- 4- The rubber nose increases the tolerances of the rail support structures, reduces the stress of the connections, allows a better fixing of the rail.

- Flange nut can also be used on request. Please consult us for using flange nut.

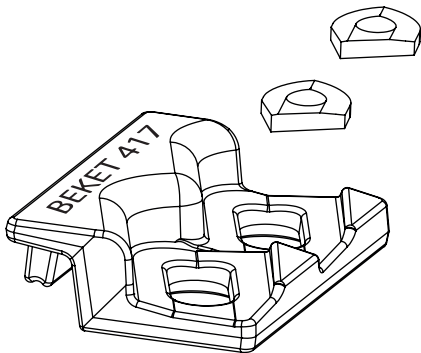
417

Beket 417 Bolted Rail Clips



	A	B	E	Without Pad	With Pad
A45	45	55	125	417/28/12	417/34/12
A55	55	65	150	417/28/12	417/34/12
A65	65	75	175	417/28/12	417/34/12
A75	75	85	200	417/28/12	417/34/12
A100	100	95	200	417/28/12	417/34/12
S24	53	115	90	417/28/12	417/34/12
S30	60,3	108	108	417/28/12	417/34/12
S31	56	125	106	417/28/12	417/34/12
S33	65	145	135	417/28/12	417/34/12
S41 A	67	138	125	417/28/12	417/34/12
50E2	72	151	140	417/28/12	417/34/12
54 E1 (UIC54)	70	159	140	417/28/12	417/34/12
P24	73	107	92	417/28/12	417/34/12
ASCE60	60,3	108	108	417/28/12	417/34/12
ASCE80	63,5	127	127	417/28/12	417/34/12
ASCE85	65,1	131,8	131,8	417/28/12	417/34/12

Clip can be with more type of rails than those listed.



INSTALLATION INSTRUCTIONS:

The main component is first positioned on the bolt against the rail and the special washer is then positioned on the main component. The nut is hand tightened. Hammer is used for tighter contact. The main component is in position, use an electrical or pneumatic wrench to torque the nut. Please contact BEKET for full installation instructions.

